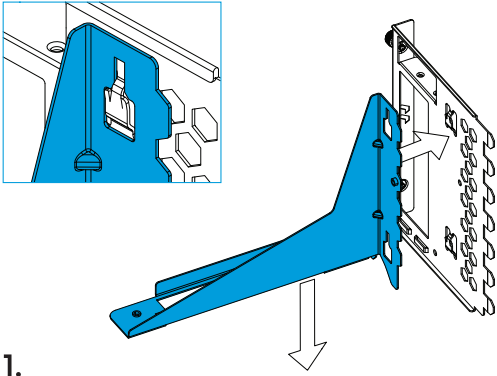
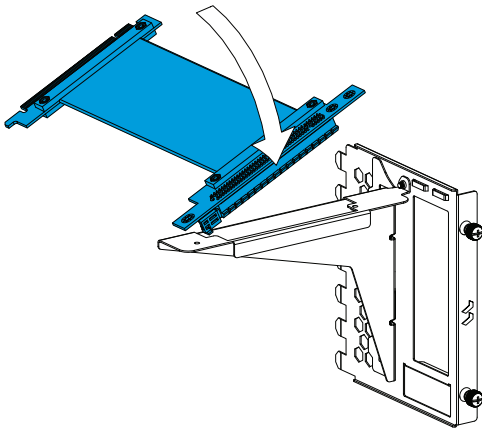


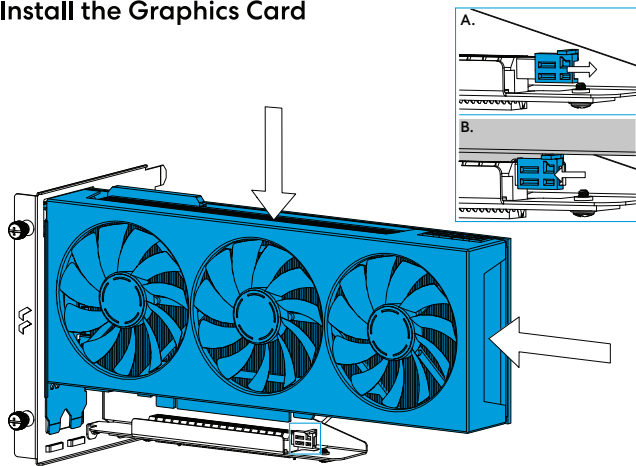
Insert GPU Support Bracket in PCI Slot Cover Bracket



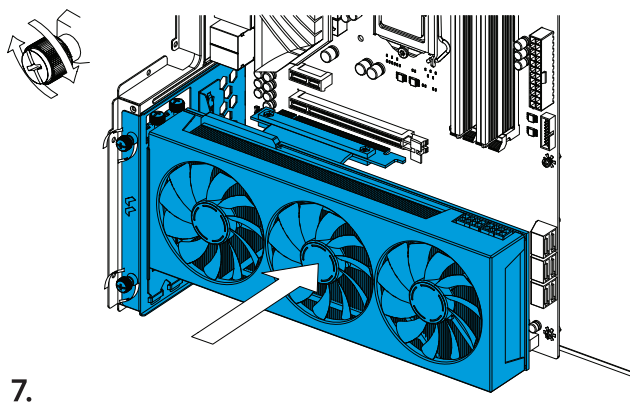
Add PCIe Riser Cable



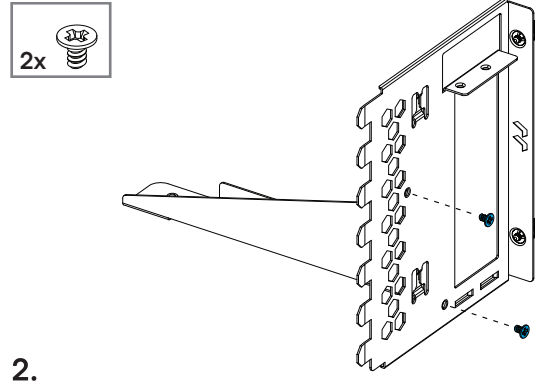
Install the Graphics Card



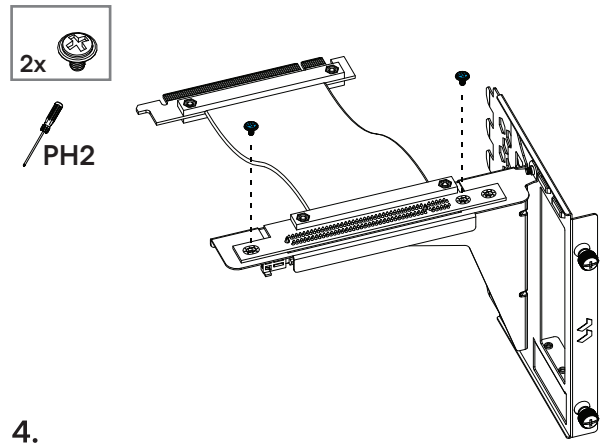
Mount Flex B-20 Bracket In the Case



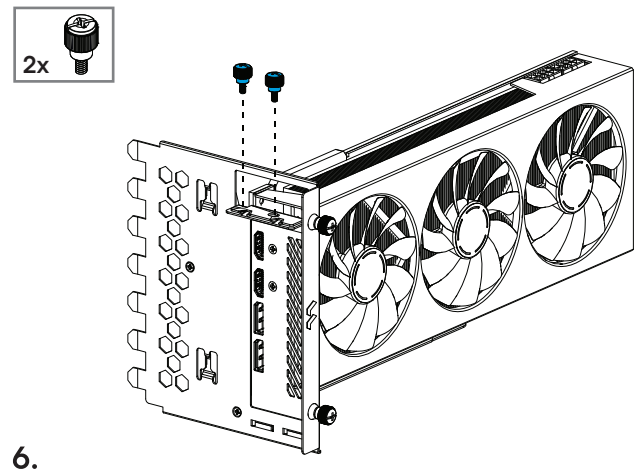
Insert 2 x Screw (6-32)



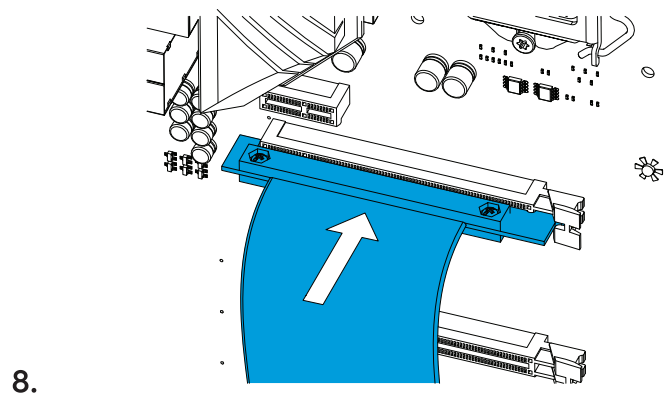
Insert 2 x M3 Riser Cable Screw



Insert 2 x Thumbscrew (6-32) in PCI Slot Cover Bracket

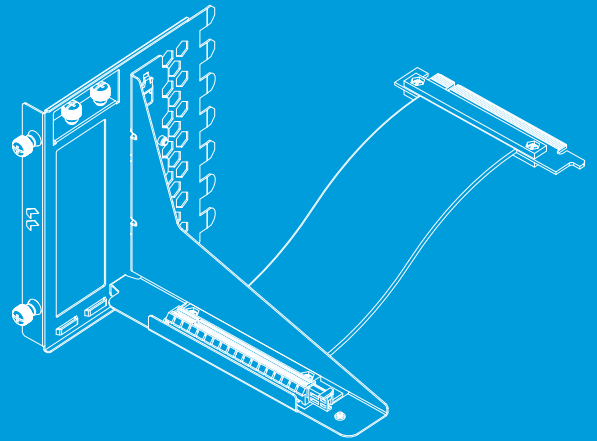


Connect PCIe 16x Riser Cable To Motherboard



Flex B-20

PCIe 3.0 Vertical Riser Bracket



Contents

- 1** PCI Slot Cover Bracket
- 2** GPU Support Bracket
- 3** Flexible PCIe 3.0 Riser Cable
- 4** 2 x 6-32 Thumbscrew For PCI Cover
- 5** 2 x M3 Riser Cable Screw
- 6** 2 x 6-32 Screw For Bracket

